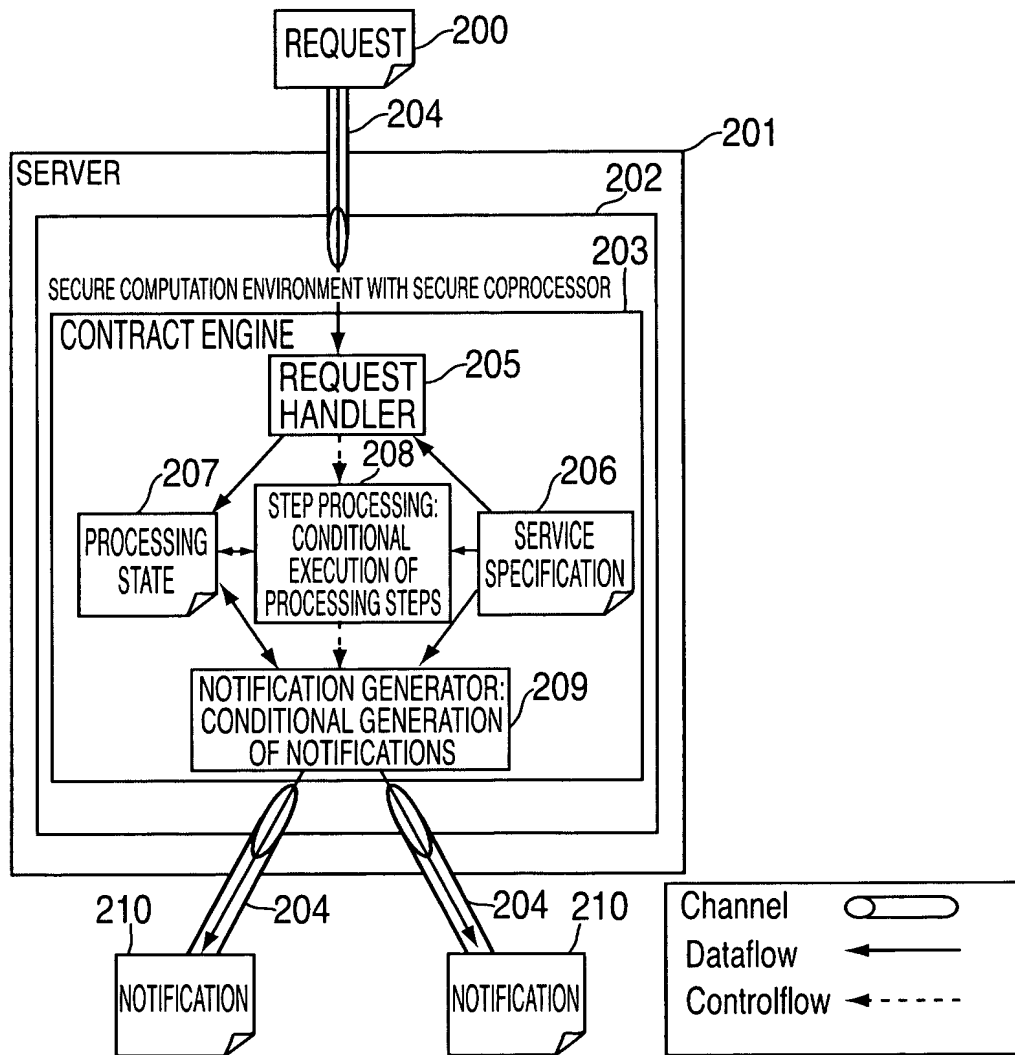


FIG. 1



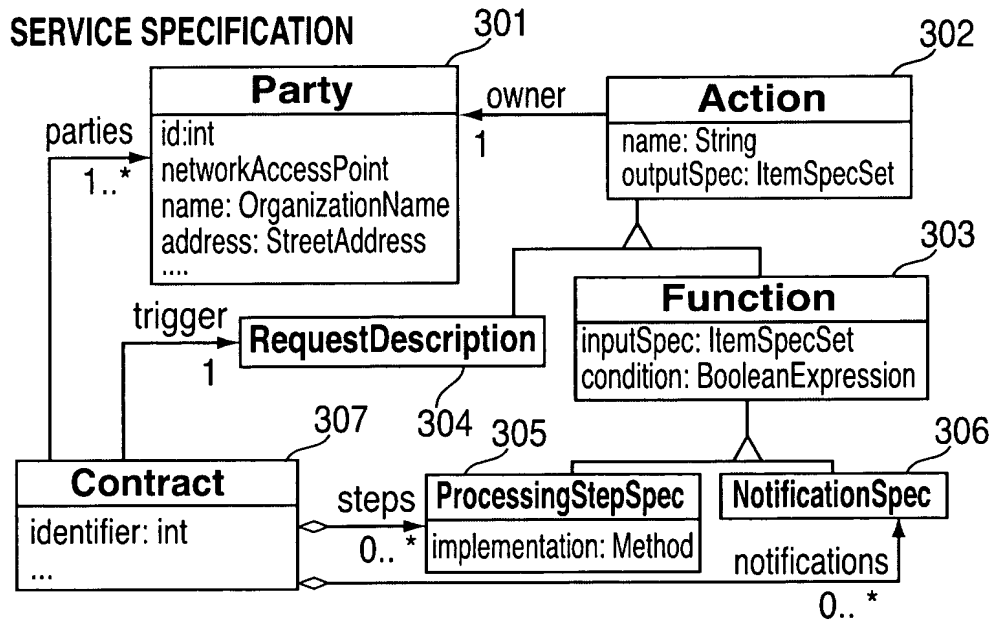


FIG. 3A

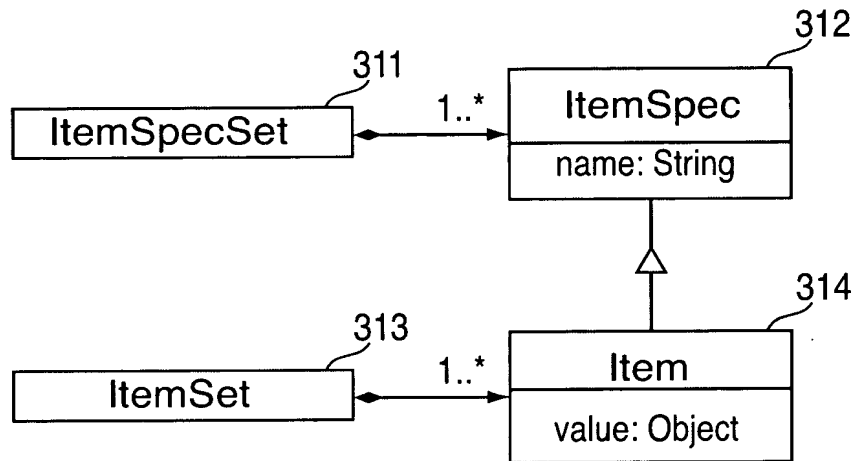


FIG. 3B

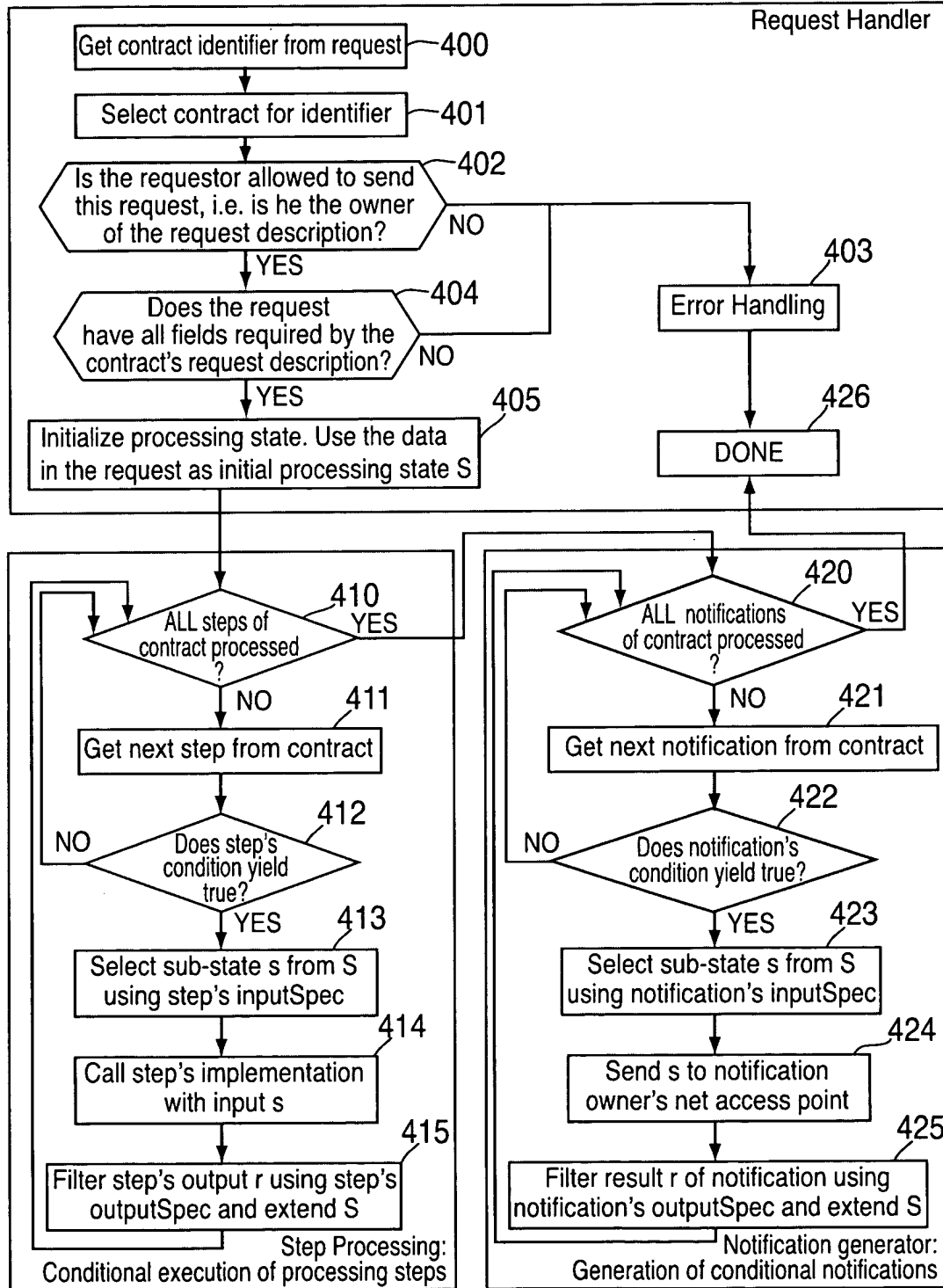


FIG. 4A

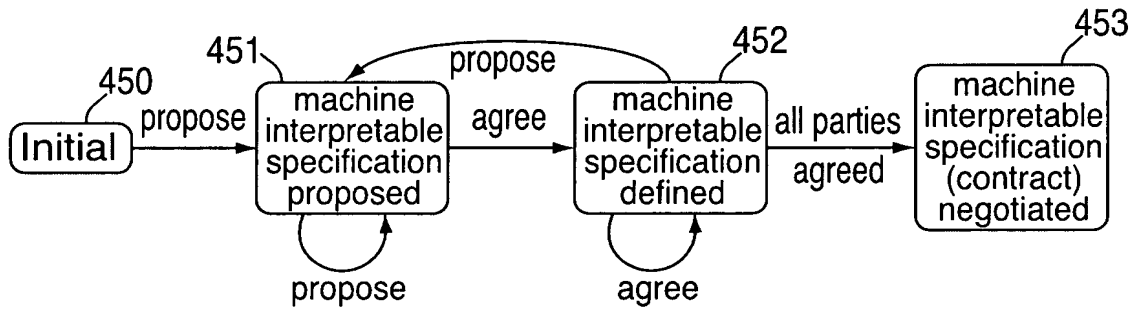


FIG. 4B

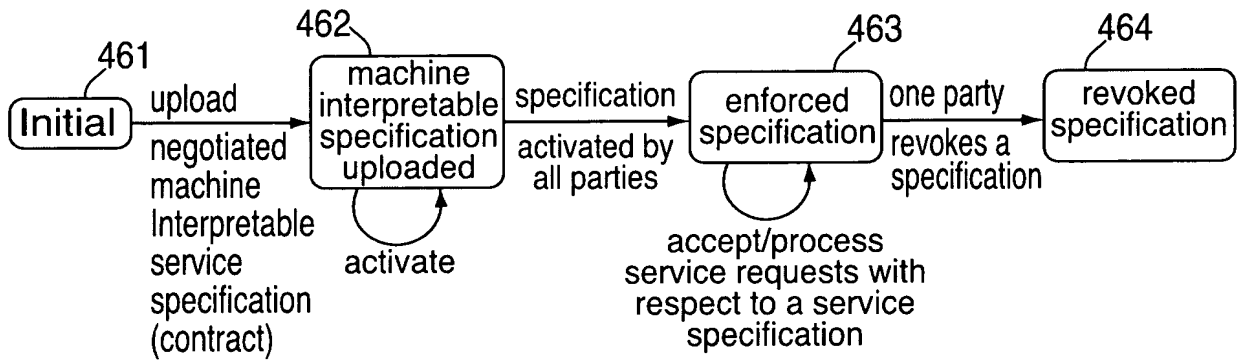


FIG. 4C

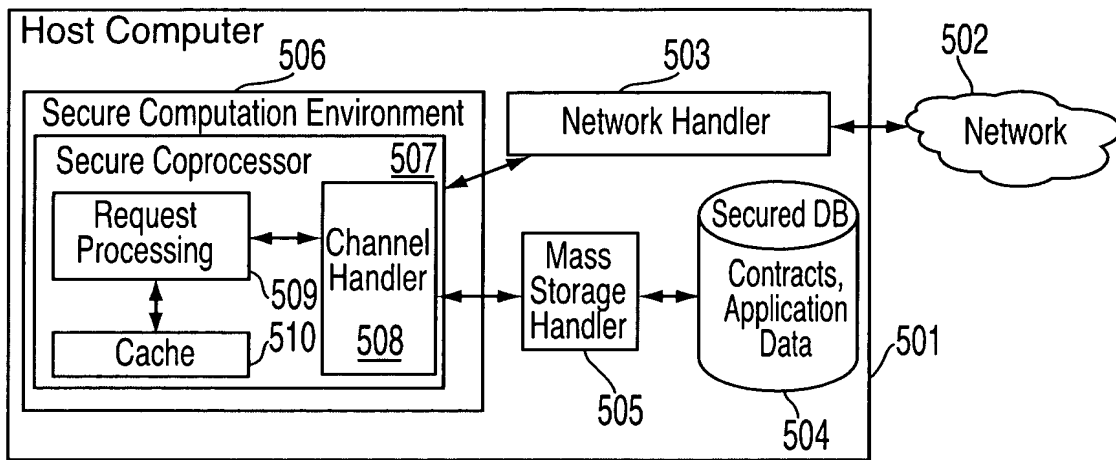


FIG. 5

9/15

601

Contract ID:		4711B5						602				
Parties:		A:		ABC Airport				603				
		B:		QRS Agency								
		C:		XYZ Law Enforcement								
Action / Owner / Condition		Item		1:n Matching	Biometric Matching	Decoy Generation	Response1	Response2	Response3	Response4		
605	Request / A	606	Contract Id	/	/	+	/	/	/	/		
			First Name	+	/	/	+	+	/	/		
			Last Name	+	/	/	+	+	/	/		
			Date of Birth	+	/	/	+	+	/	/		
			Act. Finger Print	/	+	/	/	/	/	/		
			Location	/	/	/	+	+	/	/		
			Transaction No.	/	/	/	/	/	/	+		
608	1:n Matching against Watch List XYZ / B / True	611	Matched	/	/	/	/	/	/	/		
			First Name	/	/	/	+	+	/	/		
			Last Name	/	/	/	+	+	/	/		
			Date of Birth	/	/	/	+	+	/	/		
			Suspect Class	/	/	/	/	/	/	/		
			Filed Finger Print	+	/	/	/	/	/	/		
			Previous Convictions	/	/	/	/	/	/	/		
			Reaction Advice	/	/	/	/	+	/	/		
609	Biometric Match/ C /Matched	610	Correlation	/	/	/	+	+	/	/		
			Decoy Generation/ B /NOT Matched	Decoy	/	/	/	/	+	/		
610	Notification1/ C /Matched AND Suspect Class<5	612	Return Code C	/	/	/	/	/	+	/		
			Notification2/ C /Matched AND Suspect Class<4	Return Code C	/	/	/	/	/	/	+	
			Notification3/ C /NOT Matched	Return Code C	/	/	/	/	/	/	/	+
			Notification4/ A /True	Return Code A	/	/	/	/	/	/	/	/

608

Legend:

+	include data item (row) in action's (column) input specification,
/	exclude data item from action's input specification,
□	not applicable, since data item is not yet computed

FIG. 6

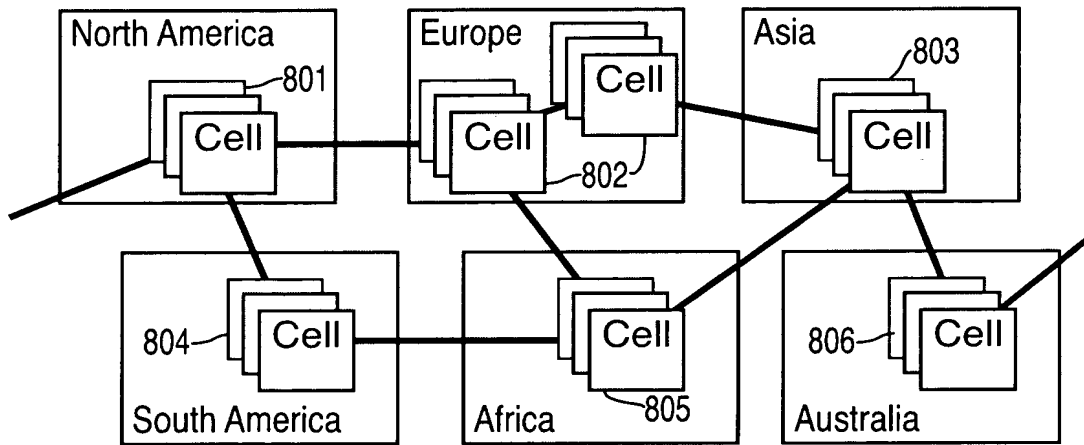


FIG. 7

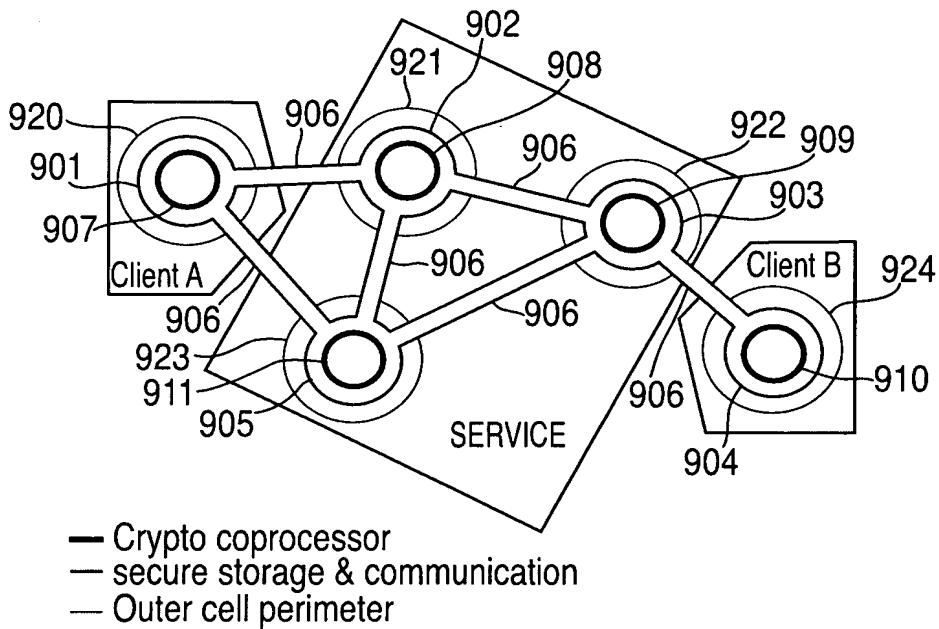


FIG. 8

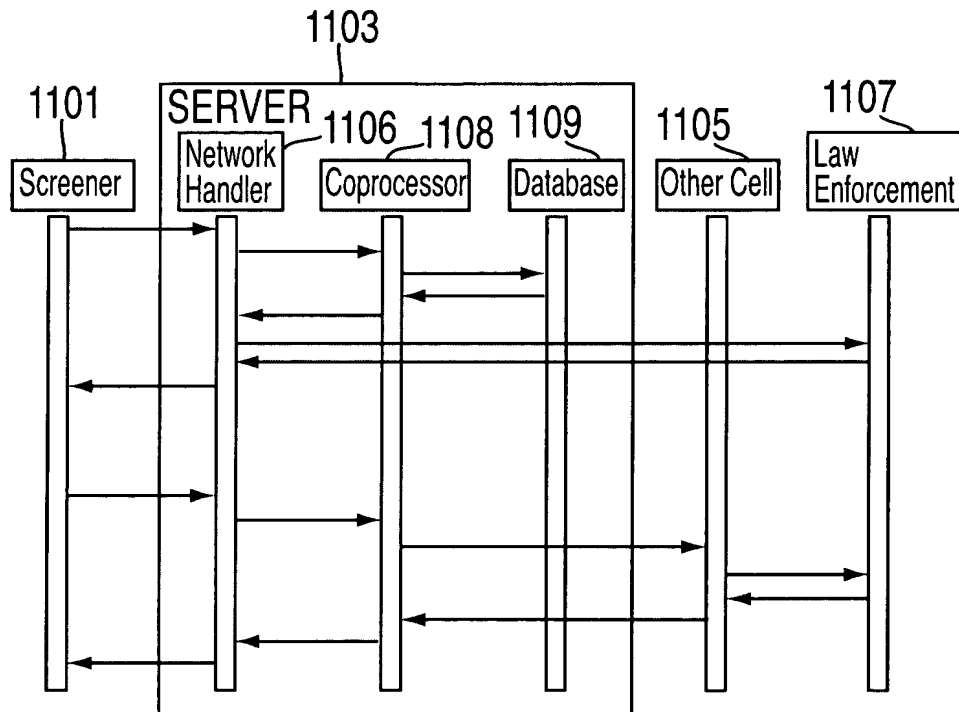


FIG. 9

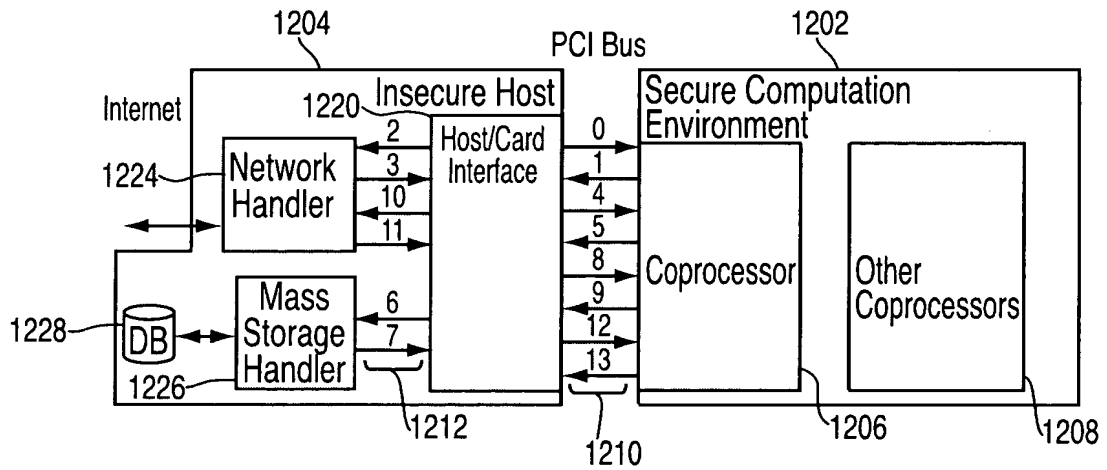


FIG. 10

14/15

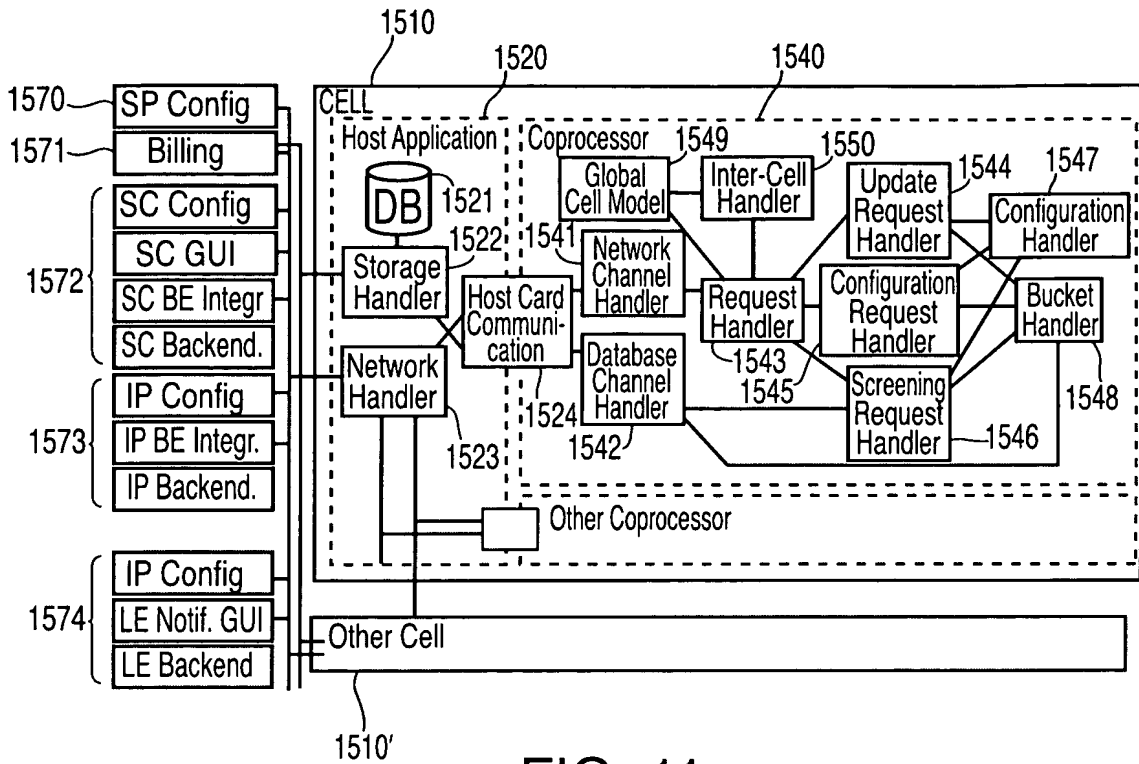


FIG. 11

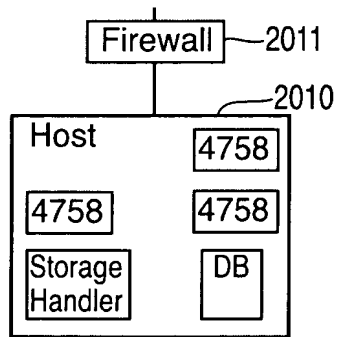


FIG. 12A

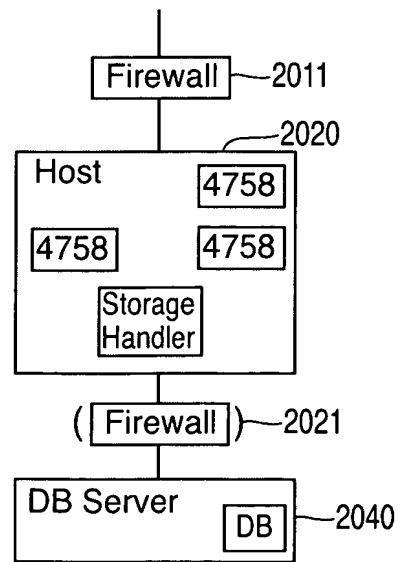


FIG. 12B

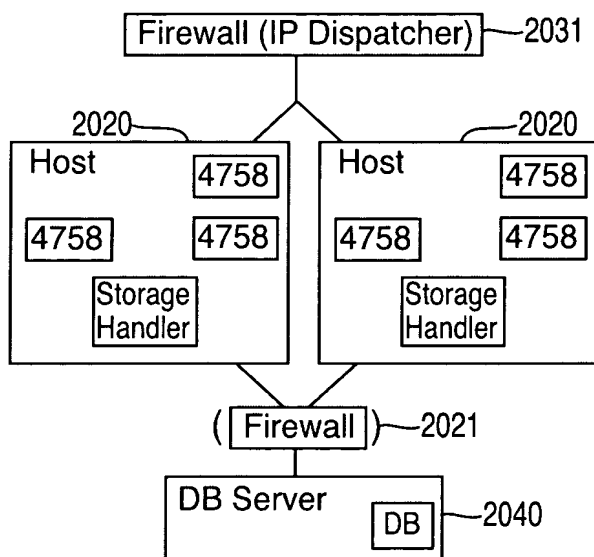


FIG. 12C